

# THE BEST WAY TO ROLL OUT CONFERENCE ROOMS



## AVSFSS

Chief has reinvented conference room installations and brought new speed with the Tempo™ Flat Panel Floor Support System. By using the floor for display support, you no longer require installation-halting wall inspections and remediation. Multiply that time and cost savings across enterprise rollouts and we think you'll agree this is the best way to roll out conference rooms!

## FEATURES

- Use with select Chief mounts (see Mount Specs chart on back)
- Easily installed on sheetrock or wood
- Uprights can move independently along wall to avoid obstructions
- Cable management within uprights and behind the covers
- Lower cover can be customized to match surrounding finishes
- Component storage panel comes standard
- Additional storage or rack storage accessories available

## SPECIFICATIONS

**Weight Capacity:** 200 lbs (90.7 kg)

**Display Center to Floor Range with:**

**Select Fusion® Wall Mounts:** 51.6-65.6" (1310-1651 mm)

**Select FIT™ Wall Mounts:** 54.4-68.4" (1381-1737 mm)

**Variable Upright Spacing:** 16-24" (406-609 mm)

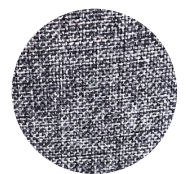
**Max Equipment Size for Storage Panel:** 13.4 x 10.7" (240 x 272 mm)

**Minimum Depth Added to Mount and Display:** 0.84" (22 mm)

**Aesthetic Insert Dimensions:**

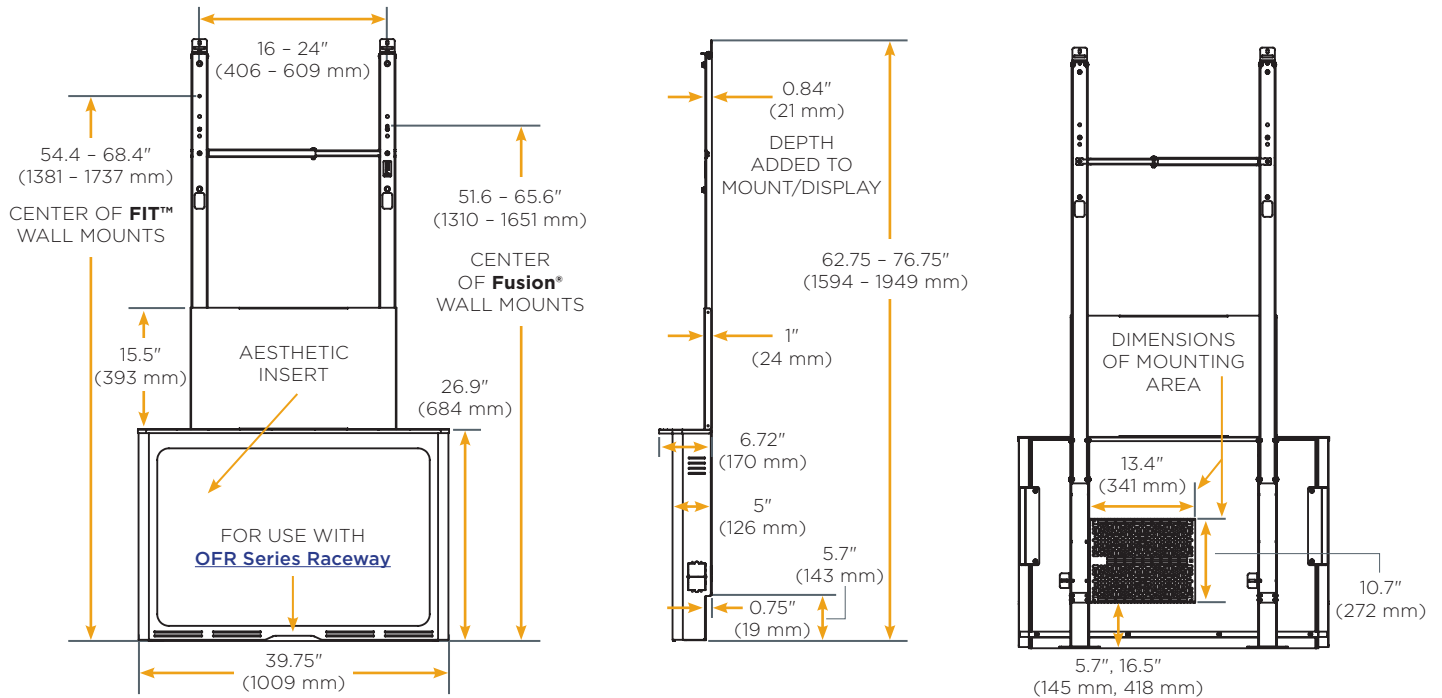
24-25" H x 36-37" W x 0.156-0.75" D

(609-635 mm H x 914-939 mm W x 4-19 mm D)



Aesthetic Fabric Detail

\*AVSFSS shown with LTM1U Mount - Sold separately



## SYSTEM & ACCESSORIES

Model	Description	Weight Capacity (per display)	Typical Display Sizes
<a href="#">AVSFSS</a>	Flat Panel Floor Support System	200 lbs (90.7 kg)	46-100" (117-254 cm)
<a href="#">AVA1102</a>	2 Rack-Unit Accessory	30 lbs (13.6 kg)	NA
<a href="#">AVA1103</a>	Flat Panel Floor Support System Component Storage Panel	20 lbs (9.07 kg)	NA

## COMPATIBLE MOUNT SPECS

Fusion® / Fit™	Mount	Min. Depth	Mounting Pattern	Tilt	Weight Capacity	Typical Screen Sizes*
Fusion®	<a href="#">LTM1U</a>	2" (51 mm)	100 x 100 - 878 x 500 mm	+2°, -12°	200 lbs (90.7 kg)	42-86"
Fusion®	<a href="#">MTM1U</a>	2" (51 mm)	100 x 100 - 650 x 400 mm	+2°, -12°	125 lbs (56.7 kg)	32-65"
Fusion®	<a href="#">LSM1U</a>	2" (51 mm)	100 x 100 - 871 x 500 mm	0	200 lbs (90.7 kg)	42-86"
Fusion®	<a href="#">MSM1U</a>	2" (51 mm)	100 x 100 - 642 x 400 mm	0	125 lbs (56.7 kg)	32-65"
Fit™	<a href="#">RXF2</a>	0.8" (20 mm)	200 x 100 - 855 x 500 mm	0	175 lbs (79.4 kg)	55-100"
Fit™	<a href="#">RLF2</a>	0.8" (20 mm)	100 x 100 - 670 x 400 mm	0	125 lbs (56.7 kg)	42-86"
Fit™	<a href="#">RME2</a>	0.8" (20 mm)	100 x 100 - 445 x 400 mm	0	125 lbs (56.7 kg)	32-65"

\* Individual screen compatibility may vary