

## eIC52

### CEILING LOUDSPEAKERS


#### *Essentials Ceiling Loudspeaker*



#### PRODUCT OVERVIEW

ECLER eIC52 is a 2 way cost-effective in-ceiling loudspeaker with a great sound performance. It features a 5.25" woofer and a 0.75" tweeter, 20 WRMS @ 8 ohm nominal power and 100V line transformer with 3 and 6 W power selections.

#### KEY FEATURES

- Two-way ABS speaker, 20 WRMS
- 5,25" woofer + 0,75" tweeter
- Built-in audio transformer for 70/100 V use
- Clip-type input terminals and low impedance / high impedance power tap selector
- EASE Win file available 

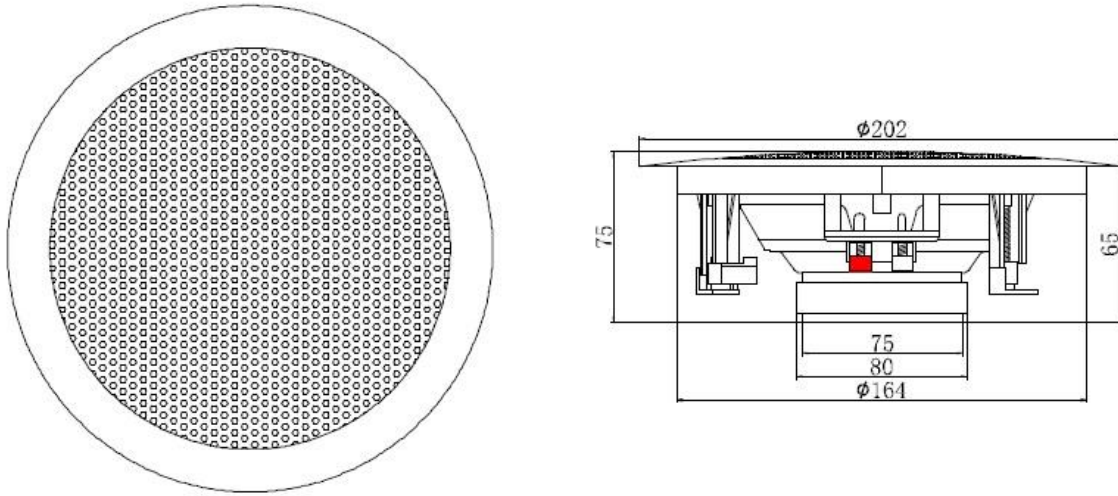
#### APPLICATIONS

- Corporate and residential buildings
- Commercial premises
- Leisure centres
- Health and sports centres
- Meeting and conference rooms
- Auditoriums, museums

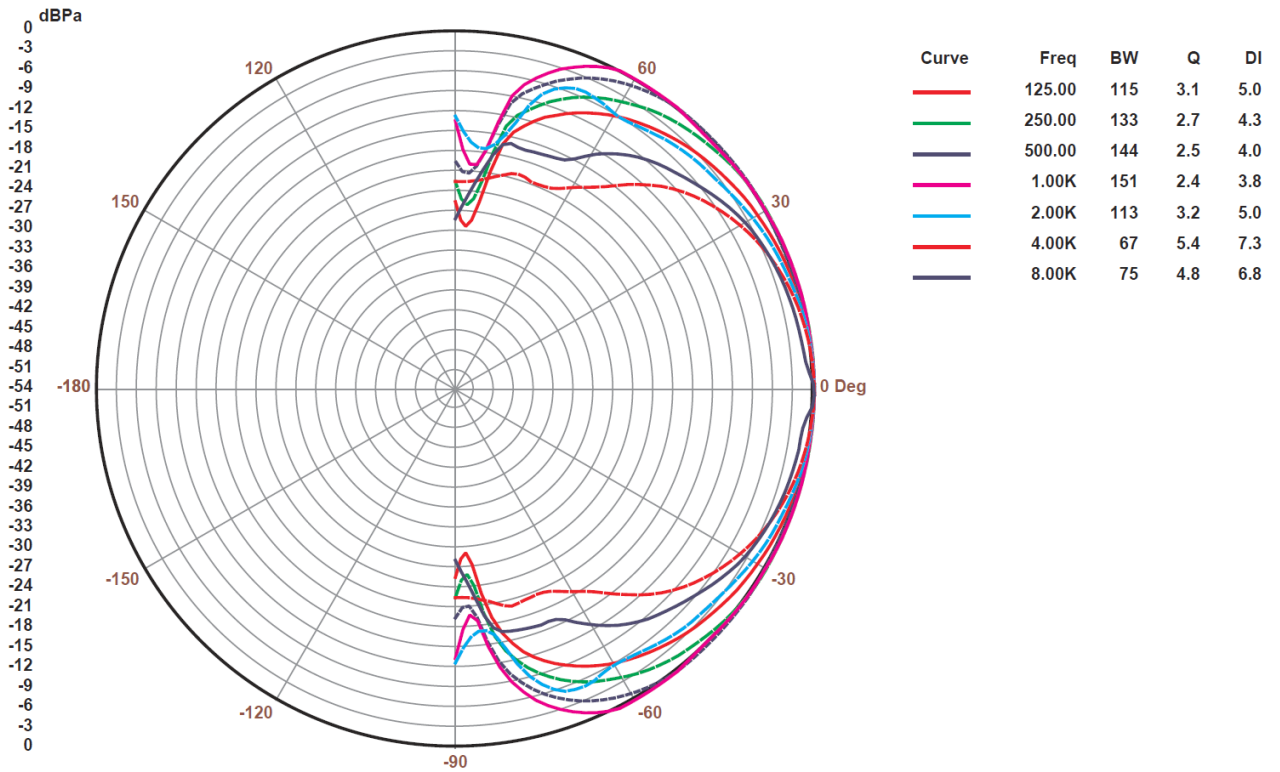
#### TECHNICAL DATA

Nominal low impedance	8Ω
RMS power	20 W
Nominal high impedance	70/100V Line
Power selector @ 100V	3. 6 W
Frequency response (-6 dB)	96Hz – 20kHz
Sensitivity 1W/1m	86 dB
External diameter	202 mm
Internal diameter	164 mm
Required depth	65 mm
Weight	1.0 kg

MECHANICAL DIAGRAMS



POLAR DIAGRAMS



All product characteristics are subject to variation due to production tolerances. NEEC AUDIO BARCELONA S.L. reserves the right to make changes or improvements in the design or manufacturing that may affect these product specifications.  
 Motors, 166-168 08038 Barcelona - Spain - (+34) 932238403 information@ecler.es [www.ecler.com](http://www.ecler.com)