

## eMOTUS50D

### SURFACE MOUNT CABINETS

#### *Outdoor Loudspeaker*



#### PRODUCT OVERVIEW

eMOTUS50D is a 5" loudspeaker cabinet ready for outdoor installation. A professional and compact loudspeaker, cost-effective and with a unique design that will easily fit in a massive number of applications: theme parks, gardens, nature parks and urban spaces, leisure, health and sport centres, residential buildings, outdoor areas, etc. Available in black and white colour.

#### KEY FEATURES

- 2-way cabinet, 5" woofer and 1" tweeter
- 40WRMS @ 8Ω
- Power selector: 3,75 / 7,5/ 15 / 30W @ 100V & 8Ω position
- Outdoor design
- IP65 rated
- Back rubber cover for connections
- Includes wall bracket and security steel cable
- Available in black and white colour

#### APPLICATIONS

- Theme parks
- Gardens, nature parks and urban spaces
- Leisure centers
- Health and sport centers
- Museums
- Residential buildings, outdoor areas

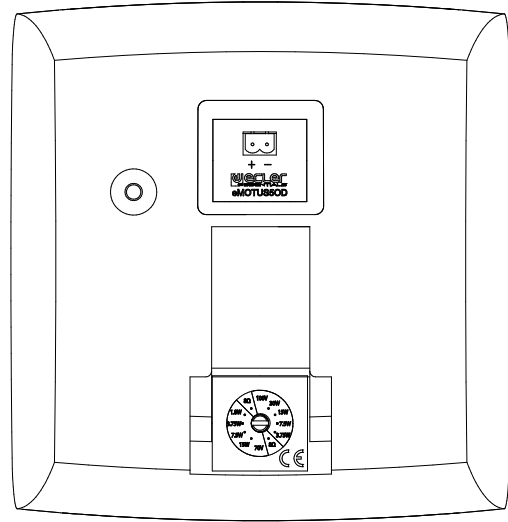
#### TECHNICAL DATA

eMOTUS50D	
<b>Power</b>	40 WRMS / 80 W Program
<b>Impedance</b>	8 Ω / 100V
<b>Power selector</b>	30W / 15W / 7.5W / 3.75W & 8Ω
<b>Frequency response (±10dB)</b>	85Hz – 20kHz
<b>Sensitivity 1W/1m</b>	88dB
<b>Construction</b>	Aluminum grill, ABS cabinet
<b>Dimensions (WxDxH)</b>	173x181x180mm - Not including brackets; 173x248x180mm - Including brackets
<b>Weight</b>	4.8 kg – Not including accessories; 5.3 kg – Including accessories

MECHANICAL DIAGRAMS

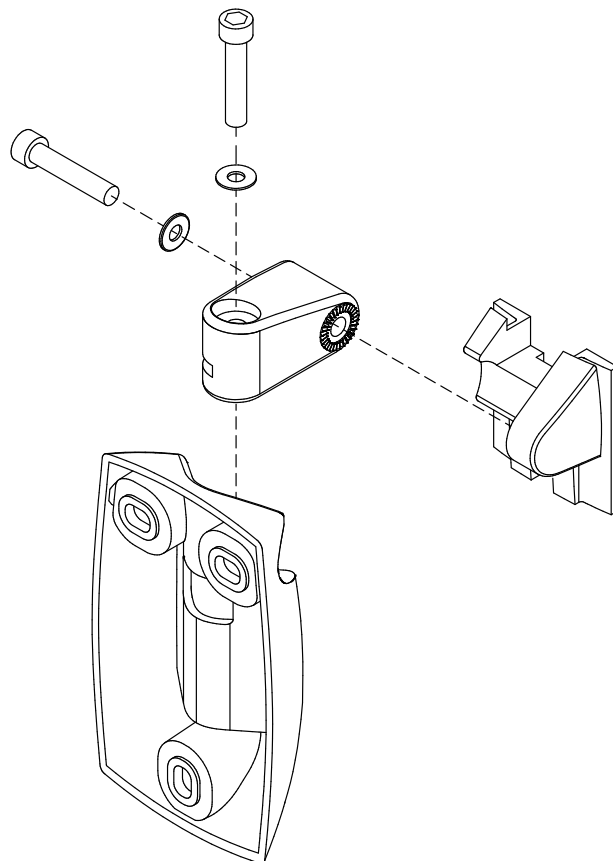


FRONT

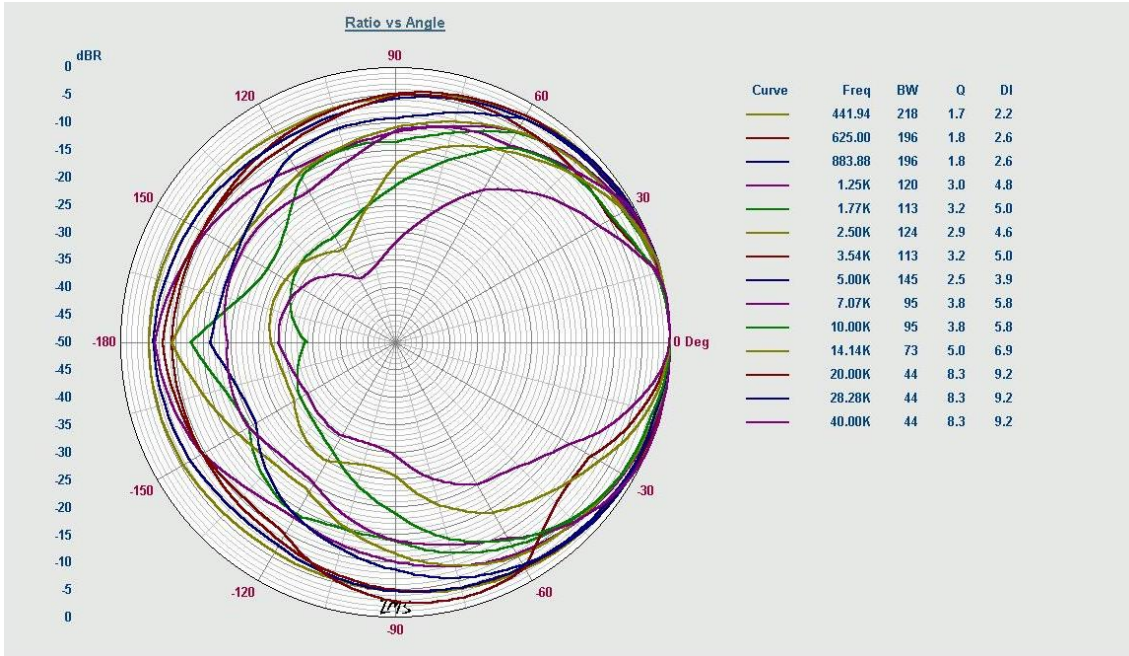


REAR

WALL SUPPORT MOUNTING DIAGRAM



POLAR DIAGRAMS



FREQUENCY RESPONSE

